



# 0.18



PATENTED: 002560003  
PATENTED: RM 2015A000099



Article: ZANL0089

**Insect screen with pleated mesh, operated by friction.** With a depth of only 18mm, it is the optimal solution for installation in small spaces. The floor guide of only 7mm makes the passage easier. It is available in two versions, all supplied with black mesh upon request with grey mesh.

**0.18 LATERAL**, particularly suitable for French windows, it has a side movement and can be produced with one or two centrally closing shutters.

**0.18 REVERSIBLE** is an insect screen for French windows.

Special structure, characterised by two sliding profiles that allow the mesh to be packed and fully extended on both sides, makes it very suitable in combination with sliding windows.



DRAINING HOLE

## COMPONENTS COLOURS



BLACK

WHITE

## ALUMINUM COLOURS STANDARD RAL

\* SEMI-GLOSS FINISH

▲ MATT FINISH



WHITE 9010

WHITE 9016

WHITE CREMA 9001

IVORY 1013

BROWN 8017

T. BRIGHT BROWN

T. DARK BROWN

GREY 7001

GREY 7016

BLACK 9005

BLACK MICACEO

GREEN 6005

GREEN 6009

\*

▲

\*

\*

▲

\*

▲

▲

\*

\*

▲

STANDARD RAL

MARBLE

WOOD



BRONZE PAINTED

SILVER OX

GREEN MARBLE

BROWN MARBLE

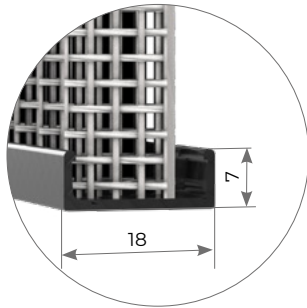
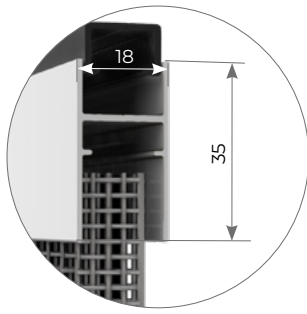
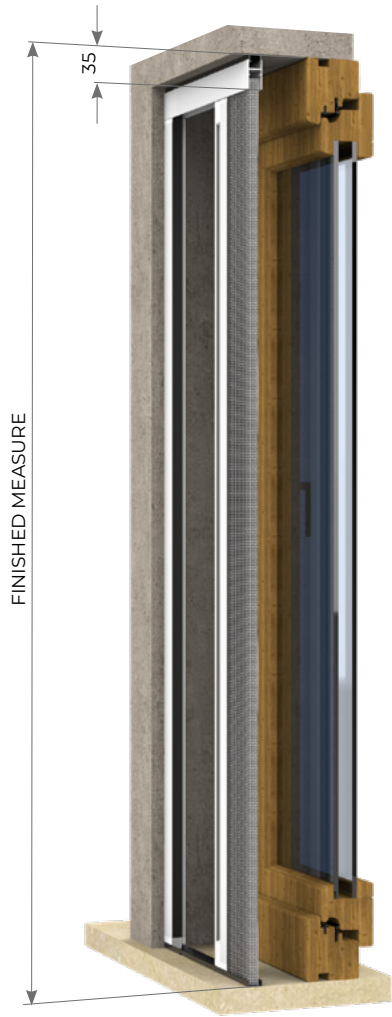
GREY MARBLE

RUVID WALNUT

RENOLIT CLEAR

RENOLIT DARK

CHERRY 317-70R



## RECOMMENDED SIZE mm

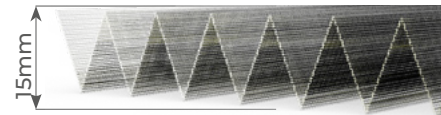
**FINISHED SIZE:** the screen will be supplied with the ordered measures.

**OPENING SIZE** (to be specified): the screen will be supplied 3mm less on the case side.

<b>0.18 ONE SHUTTER</b>		
	<b>W</b>	<b>H</b>
MIN	-	600
MAX	2000	2600

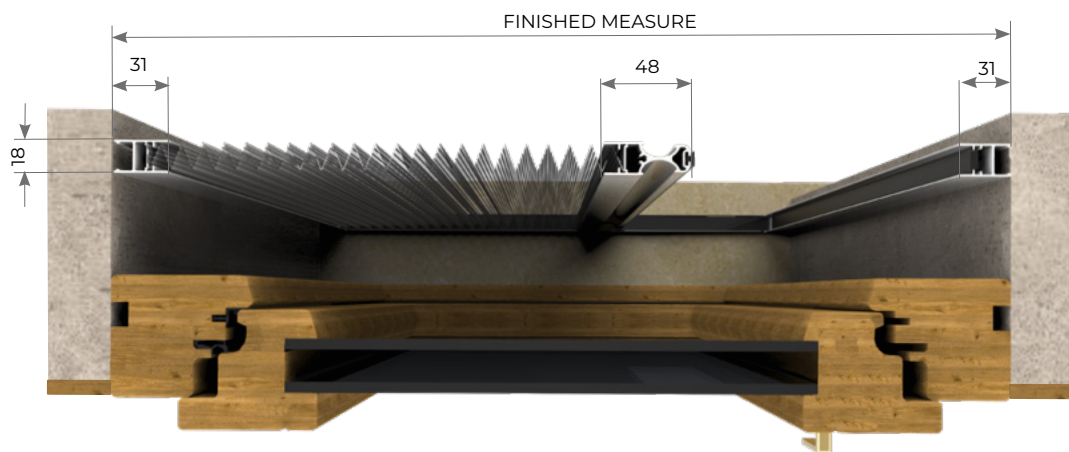
<b>0.18 REVERSIBLE</b>		
	<b>W</b>	<b>H</b>
MIN	-	600
MAX	2400	2600



### MESH FOLD

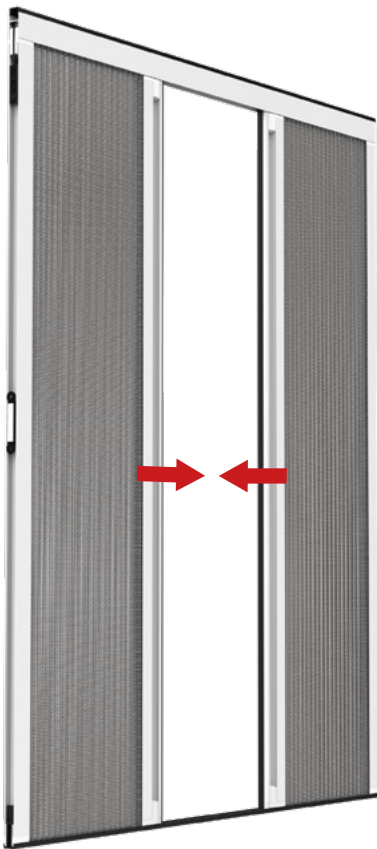
STANDARD BLACK MESH  
OPTIONAL GREY

PLEATED



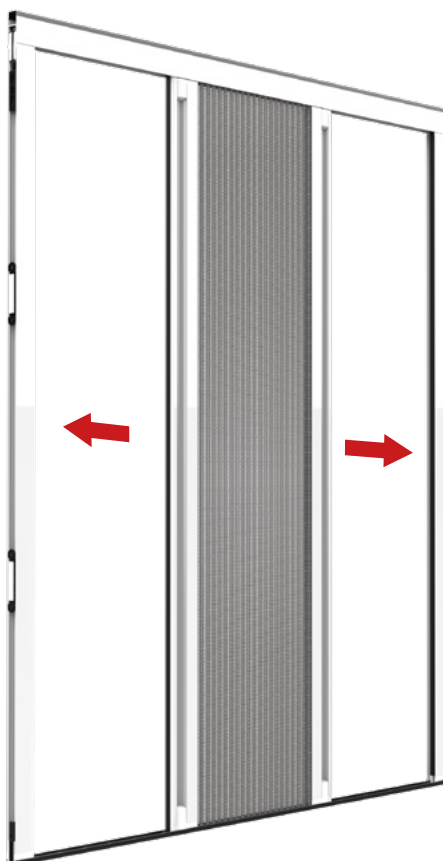
**2 DOOR VERSION**

Article: ZANL0089



**REVERSIBLE VERSION**

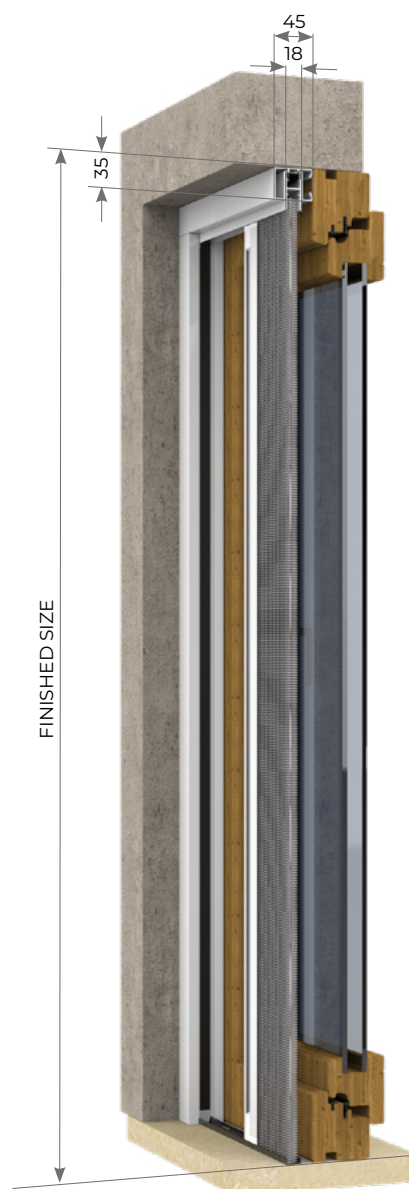
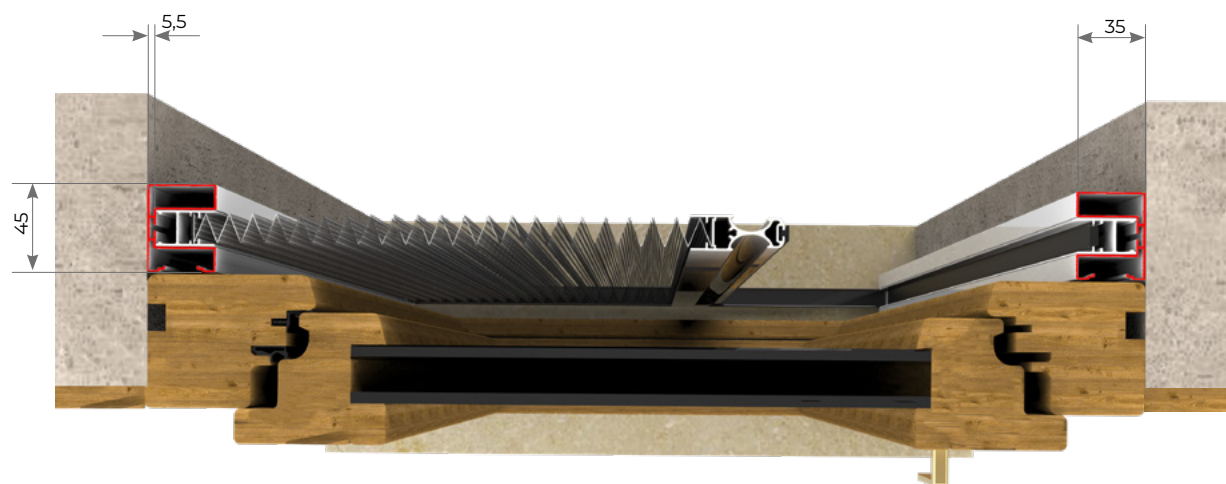
Article: ZANL0091



# 0.18 - ADAPTER 45

## ADAPTER

**FINISHED SIZE:** the insect screen + adapter will be supplied with ordered measures.



PLEATED

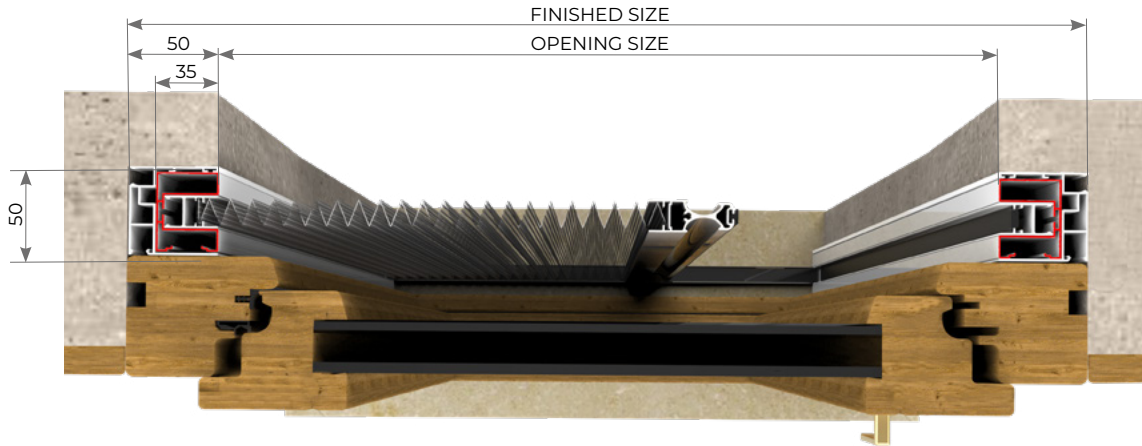


# 0.18 - RECESSED SYSTEMS

## + RECESS - C DOUBLE FACE

**FINISHED SIZE:** will be delivered with the ordered measures (max. overall dimensions)

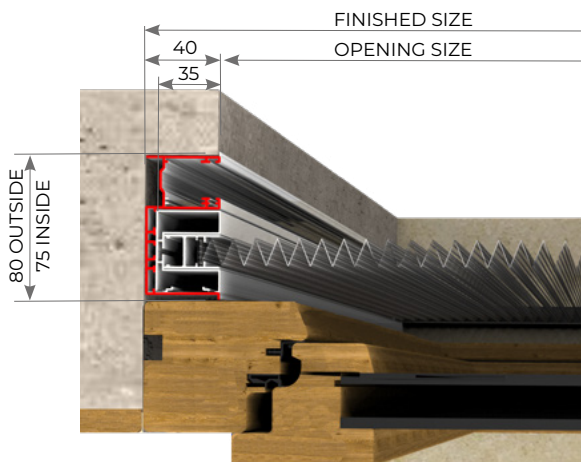
**OPENING SIZE:** will be supplied and charged with increased measures: width + 100mm, height + 50mm



## + RECESS - D WITH ROLLER SHUTTER

**FINISHED SIZE:** will be delivered with the ordered measures (max. overall dimensions)

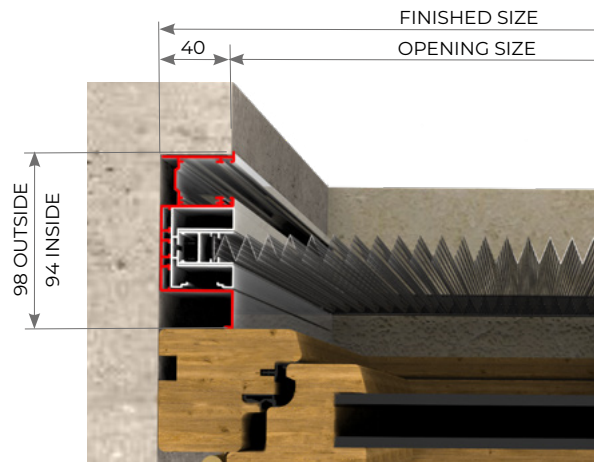
**OPENING SIZE:** will be supplied and charged with increased dimensions: WIDTH + (40x2)mm, HEIGHT equal to FINISHED SIZE.



## + RECESS - D WITH ROLLER SHUTTER WITH SPACER

**FINISHED SIZE:** will be delivered with the ordered measures (max. overall dimensions)

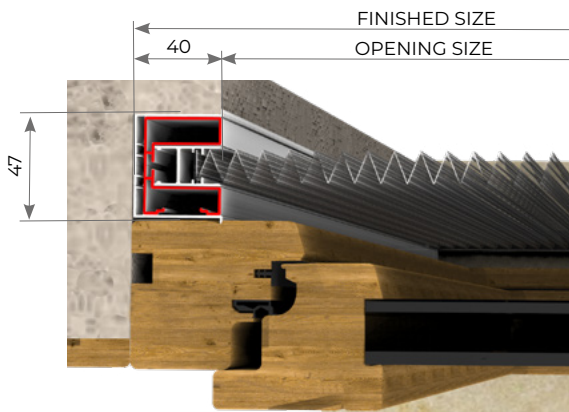
**OPENING SIZE:** will be supplied and charged with increased dimensions: WIDTH + (40x2)mm, HEIGHT equal to FINISHED SIZE.



## + RECESS - A 47

**FINISHED SIZE:** will be delivered with the ordered measures (max. overall dimensions)

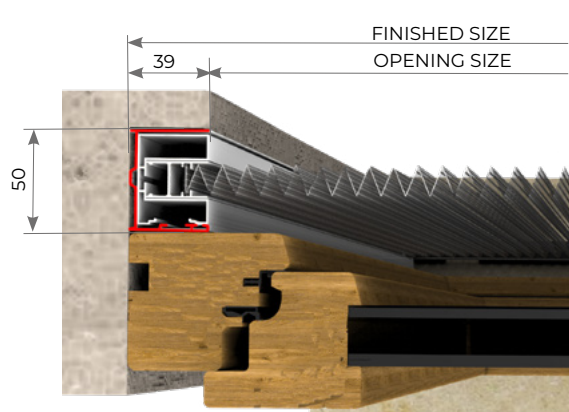
**OPENING SIZE:** will be supplied and charged with increased dimensions: WIDTH + (40x2)mm, x HEIGHT + 40mm.



## + RECESS - B 50

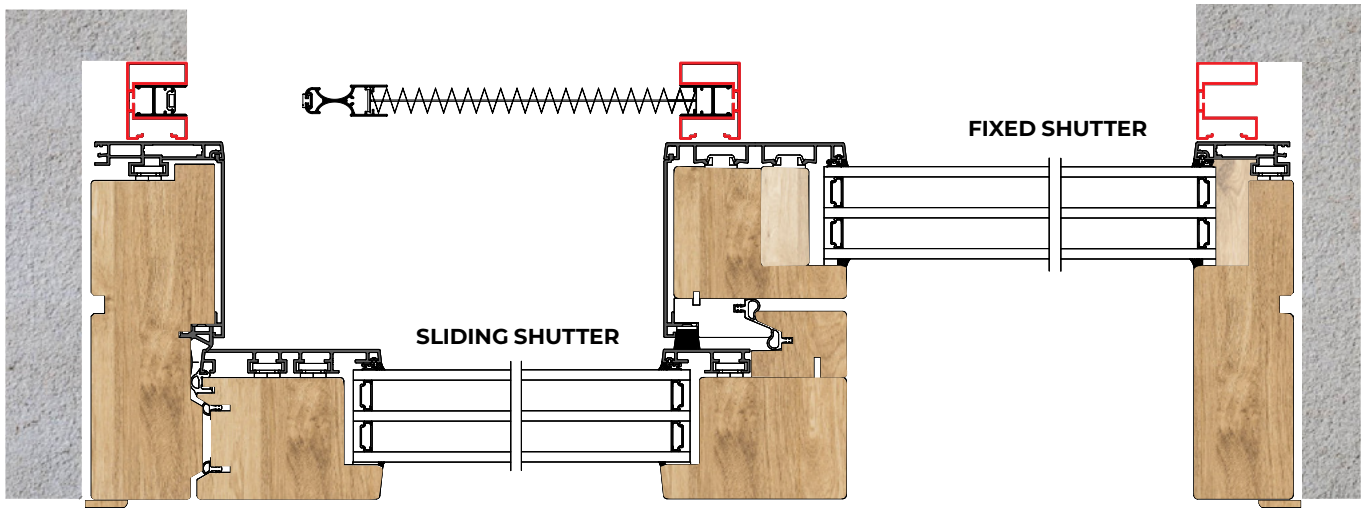
**FINISHED SIZE:** will be delivered with the ordered measures (max. overall dimensions)

**OPENING SIZE:** will be supplied and charged with increased dimensions: WIDTH + (39x2)mm, x HEIGHT + 39mm.

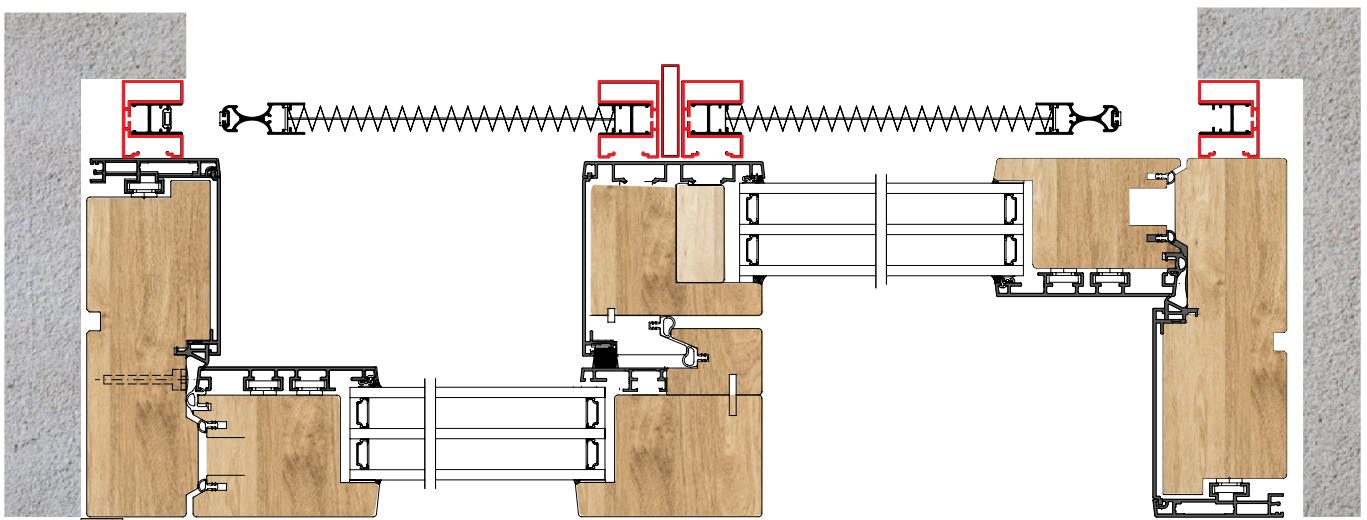


# 0.18 - ADAPTER 45 - APPLICATIONS

## FOR LIFT AND SLIDE WINDOW SYSTEMS



## FOR SLIDING WINDOW SYSTEMS



PLEATED